

**ETU-LINK**

Optical Communication System

SFP+ Series

SFP+

ESTDxxX-3LCD80

10Gb/s Tunable DWDM 80km SFP+ Optical Transceiver Module

- Supports 9.95Gb/s to 11.3Gb/s bit rates
- Monolithically integrated full C-band tunable transmitter and APD receiver
- 50 GHz ITU channel spacing with integrated wavelength locker
- Up to 80km on 9/125μm SMF
- Hot-pluggable SFP+ footprint
- Compliant with SFP+ MSA with LC connector
- Metal enclosure, for lower EMI
- RoHS-10 compliant and lead-free
- Support Digital Diagnostic Monitoring interface
- Specifications compliant with SFF-8472 V11.3& SFF-8690 V1.4
- Single +3.3V power supply
- Case operating temperature
Commercial: 0 ~ +70°C



Applications

- DWDM 10GBASE-ZR/ZW & 10G Ethernet
- DWDM SONET OC-192&SDH STM-64
- 10G Fiber Channel

Product Selection

ESTDxxX-3LCD80

C-band λ_c Wavelength Guide Pin Descriptions

Channel	Wavelength (nm)	Frequency (THZ)	Channel	Wavelength (nm)	Frequency (THZ)
C17	1563.86	191.70	C39	1546.12	193.90
H17	1563.45	191.75	H39	1545.72	193.95
C18	1563.05	191.80	C40	1545.32	194.00
H18	1562.64	191.85	H40	1544.92	194.05
C19	1562.23	191.90	C41	1544.53	194.10
H19	1561.83	191.95	H41	1544.13	194.15
C20	1561.42	192.00	C42	1543.73	194.20
H20	1561.01	192.05	H42	1543.33	194.25
C21	1560.61	192.10	C43	1542.94	194.30
H21	1560.20	192.15	H43	1542.54	194.35
C22	1559.79	192.20	C44	1542.14	194.40
H22	1559.39	192.25	H44	1541.75	194.45
C23	1558.98	192.30	C45	1541.35	194.50
H23	1558.58	192.35	H45	1540.95	194.55
C24	1558.17	192.40	C46	1540.56	194.60
H24	1557.77	192.45	H46	1540.16	194.65
C25	1557.36	192.50	C47	1539.77	194.70
H25	1556.96	192.55	H47	1539.37	194.75
C26	1556.55	192.60	C48	1538.98	194.80
H26	1556.15	192.65	H48	1538.58	194.85
C27	1555.75	192.70	C49	1538.19	194.90
H27	1555.34	192.75	H49	1537.79	194.95
C28	1554.94	192.80	C50	1537.40	195.00
H28	1554.54	192.85	H50	1537.00	195.05
C29	1554.13	192.90	C51	1536.61	195.10
H29	1553.73	192.95	H51	1536.22	195.15
C30	1553.33	193.00	C52	1535.82	195.20
H30	1552.93	193.05	H52	1535.43	195.25
C31	1552.52	193.10	C53	1535.04	195.30
H31	1552.12	193.15	H53	1534.64	195.35

C32	1551.72	193.20	C54	1534.25	195.40
H32	1551.32	193.25	H54	1533.86	195.45
C33	1550.92	193.30	C55	1533.47	195.50
H33	1550.52	193.35	H55	1533.07	195.55
C34	1550.12	193.40	C56	1532.68	195.60
H34	1549.72	193.45	H56	1532.29	195.65
C35	1549.32	193.50	C57	1531.90	195.70
H35	1548.91	193.55	H57	1531.51	195.75
C36	1548.51	193.60	C58	1531.12	195.80
H36	1548.11	193.65	H58	1530.72	195.85
C37	1547.72	193.70	C59	1530.33	195.90
H37	1547.32	193.75	H59	1529.94	196.95
C38	1546.92	193.80	C60	1529.55	196.00
H38	1546.52	193.85	H60	1529.16	196.05
Non-ITU	Peak wavelength between 1528.77nm-1563.86		C61	1528.77	196.10

Notes:

1. When a tunable module is plugged in for the first time, it will go to a default channel, HXSH-ALT81C default channel is 1568.36nm, compatible with channel range from 1 to 99
2. When the module is power cycled it will automatically go to the last channel selected, or when Tx_Disable asserted and then re-enabled, the module returns to the last channel selected.

Absolute Maximum Ratings

It has to be noted that the operation in excess of any individual absolute maximum ratings might cause permanent damage to this module.

Parameter	Symbol	Min	Max	Unit	Notes
Storage Temperature	T _s	-40	85	°C	
Power Supply Voltage	V _{CC}	-0.5	3.6	V	
Relative Humidity (non-condensation)	RH	5	95	%	
Damage Threshold	TH _d	0		dBm	

Recommended Operating Conditions and Power Supply Requirements

Parameter	Symbol	Min	Typical	Max	Unit	Notes
Operating Case Temperature	T _{OP}	0		70	°C	commercial
		-40		85	°C	Industrial
Power Supply Voltage	V _{CC}	3.135	3.3	3.465	V	
Data Rate			10.3125		Gb/s	
Control Input Voltage High		2		V _{CC}	V	
Control Input Voltage Low		0		0.8	V	
Link Distance (SMF)	D			80	km	9/125um

General Description

ETU-LINK's tunable transceiver is an integrated fiber optic transceiver that provides a high-speed serial link at signaling rates from 9.95 Gb/s to 11.3 Gb/s. The module complies with the 10 Gigabit Enhanced Small Form Factor Pluggable (SFP+) multisource agreement-MSA (SFF-8431) and SFF-8432, SFF-8690, SFF-8472. It complies with the ITU-T G.698.1 standard with 50 GHz channel spacing for SONET/SDH, IEEE DWDM 10GBASE-ZR for 80 km reach (Ethernet), and DWDM 10GFC for 80 km reach (Fiber Channel) applications.

The transceiver integrates the receiver and transmitter path on one module. The transceiver contains a C-band-tunable integrated Mach-Zehnder (MZ) laser, enabling data transmission over single-mode fiber through an industry-standard LC connector. On the receiver side, the 10 Gbps data stream is recovered from an APD/trans-impedance amplifier, and passed to an output driver. This module features a hot-pluggable electrical interface.

transceivers provide a unique enhanced digital diagnostic monitoring interface, which allows real-time access to device operating parameters such as transceiver temperature, laser bias current, transmitted optical power, and received optical power and transceiver supply voltage. It also defines a sophisticated system of alarm and warning flags, which alerts end-users when particular operating parameters are outside of a factory set normal range.

The SFP+ MSA defines a 256-byte memory map in EEPROM that is accessible over a 2-wire serial interface at the 8 bit address 1010000X (A0h). The digital diagnostic monitoring interface makes use of the 8 bit address 1010001X (A2h), so the originally defined serial ID memory map remains unchanged.

Pin Assignment and Pin Description

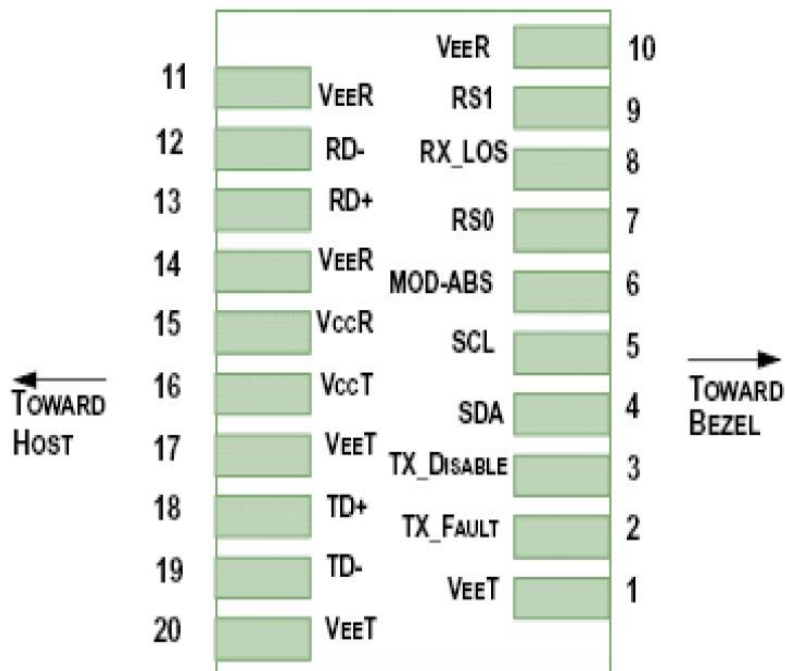


Figure1. Diagram of host board connector block pin numbers and names

Pin	Symbol	Name/Description	Notes
1	V_{EET}	Transmitter Ground (Common with Receiver Ground)	1
2	T_{FAULT}	Transmitter Fault.	2
3	T_{DIS}	Transmitter Disable. Laser output disabled on high or open.	3
4	SDA	2-wire Serial Interface Data Line	4
5	SCL	2-wire Serial Interface Clock Line	4
6	MOD_ABS	Module Absent. Grounded within the module	4
7	RS0	Rate Select 0	5
8	LOS	Loss of Signal indication. Logic 0 indicates normal operation.	6
9	RS1	No connection required	
10	V_{EER}	Receiver Ground (Common with Transmitter Ground)	1
11	V_{EER}	Receiver Ground (Common with Transmitter Ground)	1
12	RD-	Receiver Inverted DATA out. AC Coupled	
13	RD+	Receiver Non-inverted DATA out. AC Coupled	
14	V_{EER}	Receiver Ground (Common with Transmitter Ground)	1
15	V_{CCR}	Receiver Power Supply	

16	V_{CCT}	Transmitter Power Supply	
17	V_{EET}	Transmitter Ground (Common with Receiver Ground)	1
18	TD+	Transmitter Non-Inverted DATA in. AC Coupled.	
19	TD-	Transmitter Inverted DATA in. AC Coupled.	
20	V_{EET}	Transmitter Ground (Common with Receiver Ground)	1

Notes:

1. Circuit ground is internally isolated from chassis ground.
2. TFAULT is an open collector/drain output, which should be pulled up with a 4.7k Ω -10 k Ω resistor on the host board if intended for use. Pull up voltage should be between 2.0V to $V_{cc} + 0.3V$. A high output indicates a transmitter fault caused by either the TX bias current or the TX output power exceeding the preset alarm thresholds. A low output indicates normal operation. In the low state, the output is pulled to <0.8V.
3. Laser output disabled on TDIS >2.0V or open, enabled on TDIS <0.8V.
4. Should be pulled up with 4.7k Ω -10k Ω on host board to a voltage between 2.0V and 3.6V. MOD_ABS pulls line low to indicate module is plugged in.
5. Internally pulled down per SFF-8431 Rev 4.1.
6. LOS is open collector output. It should be pulled up with 4.7k Ω -10k Ω on host board to a voltage between 2.0V and 3.6V. Logic 0 indicates normal operation; logic 1 indicates loss of signal.

Electrical Characteristics

The following electrical characteristics are defined over the Recommended Operating Environment unless otherwise specified.

Parameter	Symbol	Min.	Typ.	Max	Unit	Notes
Power Consumption	p			1.5	W	
Supply Current	I _{cc}			450	mA	
Transmitter						
Single-ended Input Voltage Tolerance	V _{cc}	-0.3		4.0	V	
AC Common Mode Input Voltage Tolerance (RMS)		15			mV	
Differential Input Voltage Swing	V _{in,pp}	240		910	mV _{pp}	
Differential Input Impedance	Z _{in}	90	100	110	Ohm	1
Transmit Disable Assert Time				10	us	

Transmit Disable Voltage	Vdis	Vcc-1.3		Vcc	V	
Transmit Enable Voltage	Ven	Vee		Vee +0.8	V	2
Receiver						
Differential Output Voltage Swing	Vout,pp	350		800	mVpp	
Differential Output Impedance	Zout	90	100	110	Ohm	3
Data output rise/fall time	Tr/Tf	30			ps	4
LOS Assert Voltage	VlosH	Vcc-1.3		Vcc	V	5
LOS De-assert Voltage	VlosL	Vee		Vee +0.8	V	5
Power Supply Rejection	PSR	100			mVpp	6

Notes:

1. Connected directly to TX data input pins. AC coupled thereafter.
2. Or open circuit.
3. Input 100 ohms differential termination.
4. These are unfiltered 20-80% values.
5. Loss of Signal is LVTTTL. Logic 0 indicates normal operation; logic 1 indicates no signal detected.
6. Receiver sensitivity is compliant with power supply sinusoidal modulation of 20 Hz to 1.5 MHz up to specified value applied through the recommended power supply filtering network.

Optical Characteristics

Parameter	Symbol	Min.	Typ.	Max	Unit	Notes
Transmitter						
Optical Wavelength	λ_c	$\lambda_c - 0.05$		$\lambda_c + 0.05$	nm	1
Center Wavelength Spacing			50		GHz	
Optical Spectral Width	$\Delta\lambda$			1	nm	
Side Mode Suppression Ratio	SMSR	35			dB	
Average Optical Power	P _{AVG}	-1		4	dBm	2
Optical Extinction Ratio	ER	8.2			dB	
Transmitter and Dispersion Penalty	TDP			3	dB	

Transmitter off Output power	Poff			-30	dBm	
Frequency stability (BOL)	-1.5			1.5	GHz	
Frequency stability (EOL)	-2.5			2.5	GHz	
Transmitter Eye Mask		Compliant with IEEE802.3ae				
Receiver						
Center Wavelength	λ_c	1270		1610	nm	
Receiver Sensitivity(Average power)	Sen.			-23	dBm	3
Input Saturation Power (overload)	Psat	-6			dBm	
LOS Assert	LOSA	-36			dB	
LOS De-assert	LOSD			-27	dBm	
LOS Hysteresis	LOSH	0.5			dBm	

The following optical characteristics are defined over the Recommended Operating Environment unless otherwise specified.

Notes:

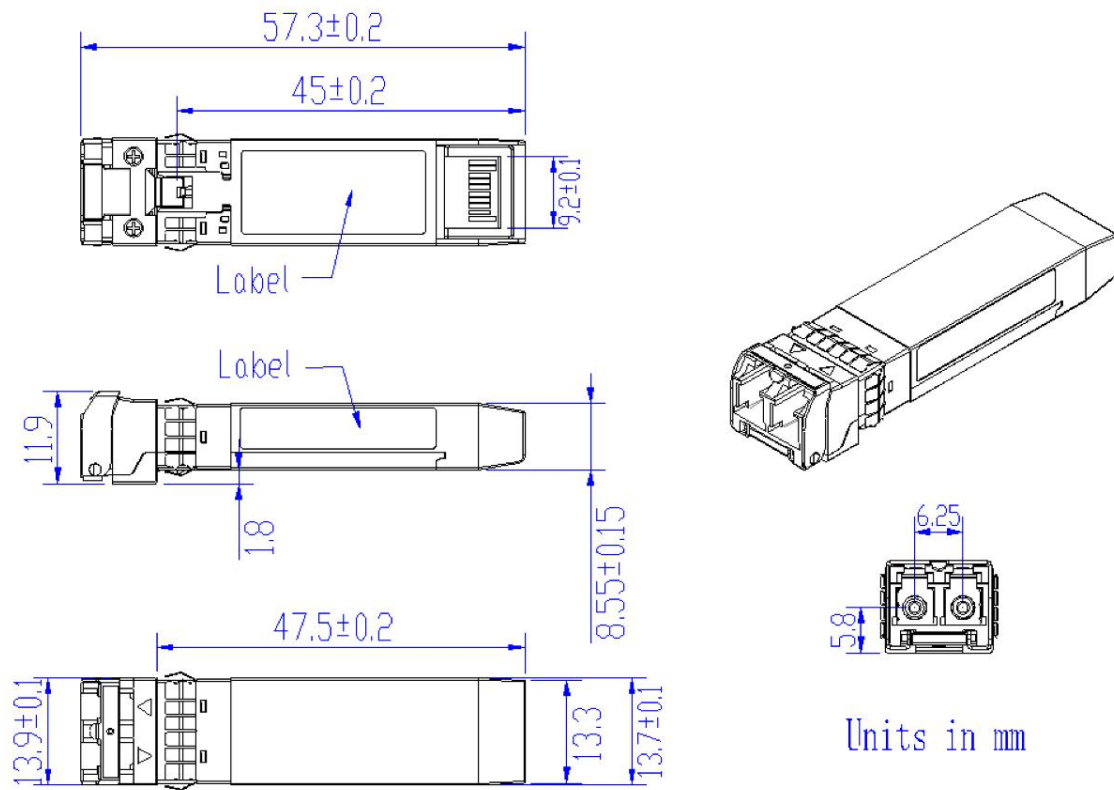
1. λ_c refer to wavelength selection, and corresponds to approximately 0.4 nm
2. Class 1 Laser Safety per FDA/CDRH and IEC-825-1 regulations.
3. Measured with Light source 1529.16~1568.36nm, ER=6.0dB; BER = $<10^{-12}$ @10.3125Gbps, PRBS=2³¹-1 NRZ.

Digital Diagnostic Functions

The following digital diagnostic characteristics are defined over the Recommended Operating Environment unless otherwise specified. It is compliant to SFF-8472 Rev10.2 with internal calibration mode. For external calibration mode please contact our sales staff.

Parameter	Symbol	Min.	Max	Unit	Notes
Temperature monitor absolute error	DMI_Temp	-3	3	degC	Over operating temp
Supply voltage monitor absolute error	DMI_VCC	-0.1 5	0.15	V	Full operating range
RX power monitor absolute error	DMI_RX	-3	3	dB	
Bias current monitor	DMI_bias	-10 %	10%	mA	
TX power monitor absolute error	DMI_TX	-3	3	dB	

Mechanical Dimensions



Precautions

- This device is susceptible to damage as a result of electrostatic discharge (ESD). A static free environment is highly recommended. Follow guidelines according to proper ESD procedures.
- Radiation emitted by laser devices can be dangerous to human eyes. Avoid eye exposure to direct or indirect radiation.

Compatibility Test

In order to ensure the product compatibility, our products will be tested on the switch before shipment. Our modules can compatible with many mainstream brand switches, such as Cisco, Juniper, Extreme, Brocade, IBM, H3C, HP, Huawei, D-Link, Mikrotik, ZTE, TP-Link...

Our test equipment: VOLKTEK MEN-4110, HP 2530-8G, CRS226-24G-25+RM, Catalyst 2960G Series, Catalyst 3850 XS 10G SFP+, Catalyst 3750-E Series, HUAWEI S5700Series, H3C S3100V2 Series, Juniper-EX4200, etc.



Cisco Catalyst 3850



HUAWEI S5700



H3C S3100V2



HP J9264AR



Juniper EX 4200



Alcatel 6850E-U24X



Mikrotik CR5226-24G-25+RM



Cisco Catalyst 2960G



Volktek MEN-4110

Product Production Process

Quality Assurance

Continuous introduction of new equipment, produced by strict standards, strict quality inspection, to guarantee the high quality standard of each product.



**Standardized
Production Line**



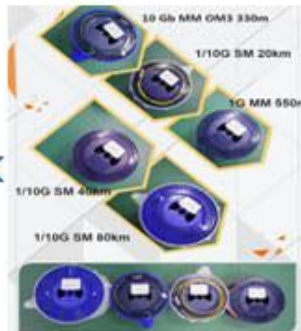
**Professional
Welding**



Assembling



Aging Testing



Distance Testing



Cleaning end face



Product Initial Test



Switch Testing



Product Final Test

Packaging

ETU-Link provides two kinds of packaging, 10pcs/Tray and individual package.



Company: ETU-Link Technology Co., LTD

Address: Right side of 3rd floor, No. 102 building, Longguan expressway, Dalang street,
Longhua District, Shenzhen city, Guangdong Province, China 518109

Tel: +86-755 2328 4603

Addresses and phone number also have been listed at www.etulinktechnology.com.

Please e-mail us at sales@etulinktechnology.com or call us for assistance.