

100, 200G DWDM OADM Module (4Channel)

Features

- ITU channel spacing
- Low insertion loss
- Wide pass band
- High Channel Isolation
- High Stability and reliability
- Epoxy-free on Optical Path
- Access Network

Applications

- Channel Add/Drop
- DWDM Network
- Wavelength Routing
- Fiber Optical amplifier
- CATV fiberoptic System

Performance Specifications

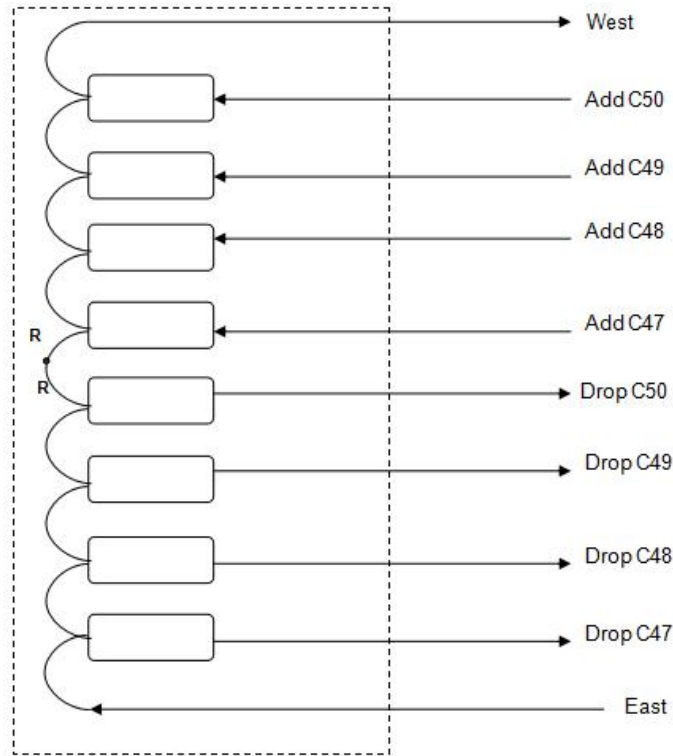
| Parameter | 4 Channel | |
|--|---------------------------|------|
| | Add | Drop |
| Channel Wavelength (nm) | C47/C48/C49/C50 | |
| Channel Spacing (GHz) | 100/200 | |
| Channel Passband (@-0.5dB bandwidth (nm)) | >0.22 (100G) / >0.5(200G) | |
| Insertion Loss (dB) | West—Add@add | 2.0 |
| | East---Drop@Drop | 2.0 |
| | East---West@other | 2.5 |
| Isolation @Add/Drop Channel | Adjacent | >30 |
| | Non-adjacent | >40 |
| Inertion Loss Temperature Sensitivity (dB) | <0.5 | |
| Wavelength Temperature Shifting (nm/°C) | <0.002 | |
| Polarization Dependent Loss (dB) | <0.2 | |
| Polarization Mode Dispersion (ps) | <0.1 | |
| Directivity (dB) (Input to add, Output to drop, add to drop) | >45 | |
| Return Loss (dB) | >45 | |
| Maximum Power Handling (mW) | 500 | |
| Operating Temperature (°C) | -10~+70 | |
| Storage Temperature (°C) | -40~+85 | |
| Package dimension (mm) | L100×W80×H10mm | |



Specification may change without notice.

Above specification are for device without connector.

Dimension



ABS box Dimension:

