

GEPON

EEP4311-3SCDP2

1.25G SFP SC GEPON OLT PX20+

- Single fiber bi-directional data links symmetric 1.25Gbps application
- 1490nm continuous-mode DFB laser transmitter and 1310nm burst-mode APD-TIA receiver
- Reset-less burst-mode receiver simplify the system design
- More than 24dB wide dynamic range
- 0 to 70°C operating case temperature,
- Single 3.3V power supply
- Digital diagnostic monitoring interface
- Digital burst RSSI function to monitor the input optical power level
- LVPECL compatible data input/output interface
- LVTTTL transmitter disable control
- LVTTTL transmitter laser fault alarm
- LVTTTL receiver loss of signal indication
- Low EMI and excellent ESD protection
- Class I laser safety standard IEC-60825 compliant
- RoHS-6 compliance



Applications

- Gigabit Ethernet Passive Optical Networks (GEAPON) 20Km 1:32 application or 10Km 1:64 application.
- STANDARDS
- Complies with SFP Multi-Source Agreement (MSA) SFF-8074i
- Complies with SFF-8472
- Complies with IEEE 802.3ah™-2004
- Complies with FCC 47 CFR Part 15, Class B
- Complies with FDA 21 CFR 1040.10 and 1040.11 except for deviations pursuant to Laser Notice No. 50, dated June 24, 2007

ABSOLUTE MAXIMUM RATING					
Parameter	Symbol	Min.	Max.	Unit.	Notes
Storage Ambient Temperature	T _{STG}	-40	85	°C	
Operating Case Temperature	T _c	0	70	°C	
Operating Humidity	OH	5	90	%	
Power Supply Voltage	V _{CC}	0	3.6	V	
Receiver Damaged Threshold		+4		dBm	

RECOMMENDED OPERATING CONDITION						
Parameter	Symbol	Min.	Typ.	Max.	Unit	Notes
Operating Case Temperature	T _c	0		70	°C	
Power Supply Voltage	V _{CC}	3.13	3.3	3.47	V	
Operating Humidity Range	OH	5		90	%	
Data Rate			1.25		Gbit/s	
Data Rate Drift		-100		+100	PPM	

TRANSMITTER OPTICAL CHARACTERISTICS

Parameter	Symbol	Min.	Typ.	Max.	Unit	Notes
Optical Center Wavelength	λ_c	1480	1490	1500	nm	
Optical Spectrum Width (-20dB)	$\Delta\lambda$			1	nm	
Side Mode Suppression Ratio	SMSR	30			dB	
Average Launch Optical Power	AOP	+2		+7	dBm	EOL, Over Temperature
Power-OFF Transmitter Optical Power				-39	dBm	Launched into SMF
Extinction Ratio	ER	9			dB	PRBS 2^7-1 test pattern @1.25Gbit/s
Total Jitter	TJ			0.43	UI	PRBS 2^7-1 test pattern @1.25Gbit/s
Rise/Fall Time (20%-80%)	T_R/T_F			260	ps	Bessel-Thompson Filter OFF.
$RIN_{15\text{OMA}}$				-115	dB/Hz	
Optical Return Loss Tolerance				15	dB	
Transmitter Reflectance				-10	dB	
Transmitter and Dispersion Penalty	TDP			2.3	dB	Transmit on 20km SMF
Optical Waveform Diagram	Compliant with IEEE Std 802.3ah™-2004					Figure 1

TRANSMITTER ELECTRICAL CHARACTERISTICS

Parameter	Symbol	Min.	Typ.	Max.	Unit	Notes
Data Input Differential Swing		200		1600	mV	LVPECL input, AC coupled
Input Differential Impedance		90	100	110	Ω	
Power Supply Current				220	mA	Load free
Transmitter Disable Voltage - Low		0		0.8	V	
Transmitter Disable Voltage - High		2.0		VCC	V	
Transmitter Fault Alarm Voltage - Low		0		0.4	V	
Transmitter Fault Alarm Voltage - High		2.4		VCC	V	

TRANSMITTER EYE MASK DEFINITIONS AND TEST PROCEDURE

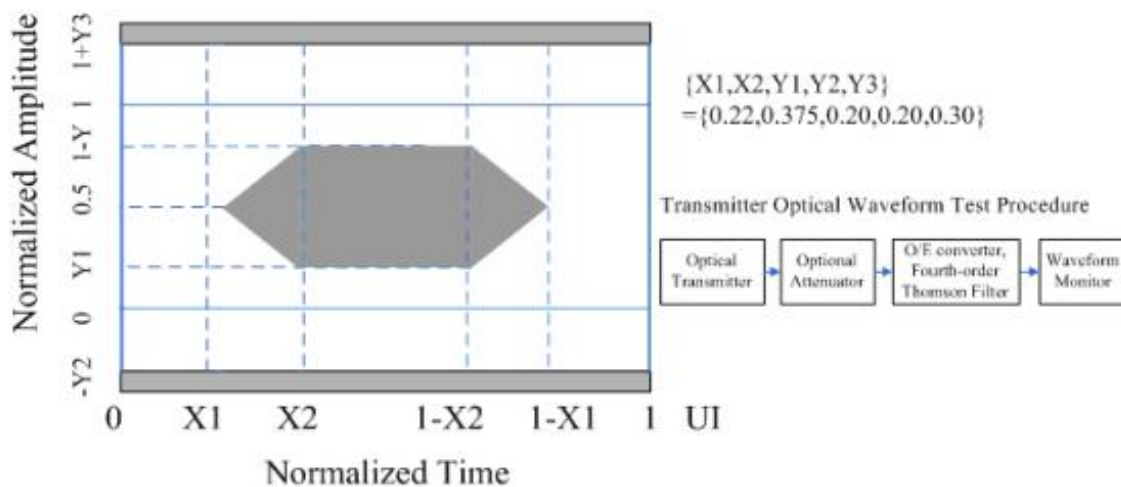


Figure 1 Transmitter Eye Mask Definitions and Test Procedure

RECEIVER OPTICAL CHARACTERISTICS

Parameter	Symbol	Min.	Typ.	Max.	Unit	Notes
Operating Wavelength		1260		1360	nm	
Sensitivity	SEN			-30	dBm	PRBS 2 ⁷ -1@1.25Gbps BER ≤1×10 ⁻¹²
Saturation Optical Power	SAT	-6			dBm	PRBS 2 ⁷ -1@1.25Gbps BER ≤1×10 ⁻¹²
Loss Of Signal De-assert Level	LOSD			-31	dBm	
Loss Of Signal Assert Level	LOSA	-45			dBm	
Loss Of Signal Hysteresis		0.5		6	dB	
Receiver Reflectance				-12	dB	
Dynamic Range		-30		-6	dBm	Figure 2

DS0000445V1.1

Superoxon Confidential, Do Not Copy or Distribute

Page 3 of 10

This Record Storage Period: Permanent

BURST MODE RECEIVER DYNAMIC RANGE IN GEAPON SYSTEM

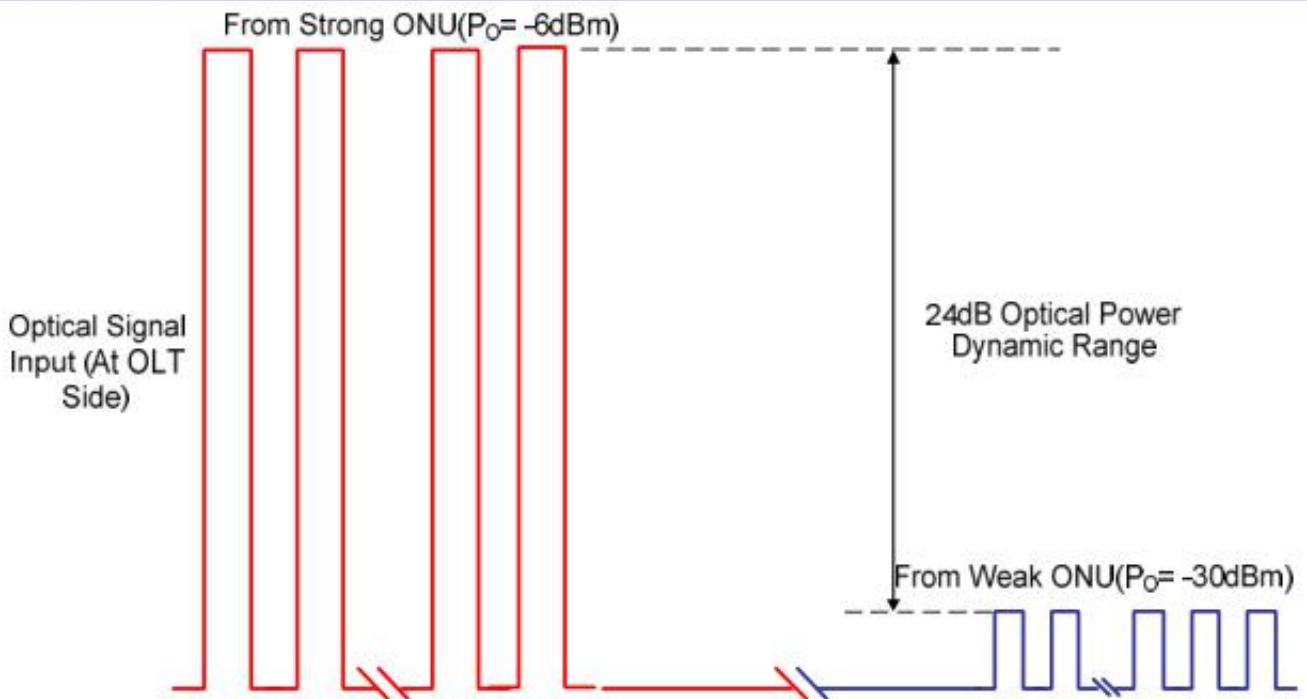
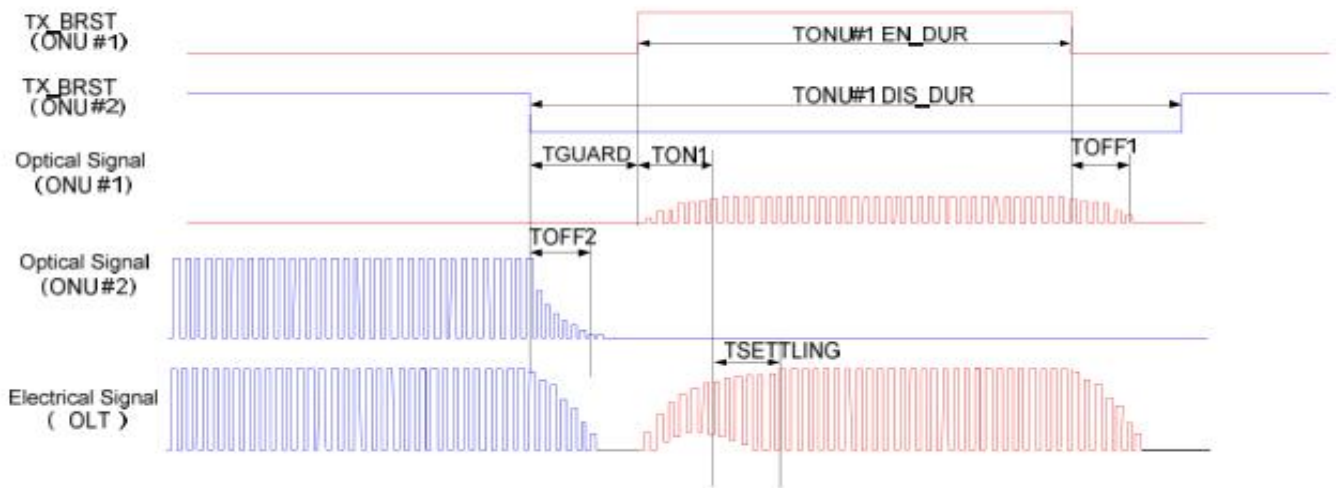


Figure 2 Burst Mode Receiver Dynamic Range in GEAPON System

RECEIVER ELECTRICAL CHARACTERISTICS

Parameter	Symbol	Min.	Typ.	Max.	Unit.	Notes
Power Supply Current				160	mA	Load free
Data Output Voltage – Low (-Vcc)		-1.81		-1.62	V	
Data Output Voltage – High (-Vcc)		-1.02		-0.88	V	
Data Output Differential Swing		400		1600	mV	LVPECL output, DC coupled
Loss Of Signal Assert Time			0.5		μ s	
Loss Of Signal De-assert Time			0.5		μ s	
Loss Of Signal Voltage - Low		0		0.4	V	
Loss Of Signal Voltage - High		2.4		VCC	V	
Receiver Threshold Settling Time	$T_{SETTLING}$			250	ns	Figure 3

TIMING PARAMETER DEFINITIONS IN BURST MODE SEQUENCE



RECEIVER ELECTRICAL CHARACTERISTICS

Parameter	Symbol	Min.	Typ.	Max.	Unit.	Notes
RSSI Trigger-Low		0		0.8	V	
RSSI Trigger-High		2.0		Vcc	V	
RSSI Trigger width	T_w	10			μ s	
RSSI Trigger Delay	T_D		950		ns	Refer to first bit of the preamble
I2C Access Prohibited Time		150	200		μ s	
Optical Signal During Time	$TONU\ EN_DUR$	1000	1200		ns	400ns CDR time

RSSI TIMING SEQUENCE

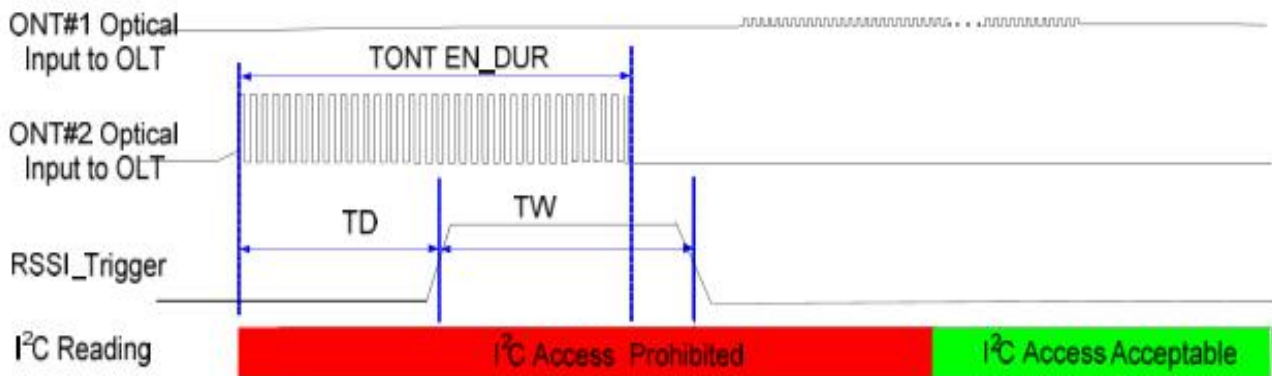


Figure 4 Timing Parameter Definitions in RSSI Trigger

PIN DESCRIPTION			
PIN	Name	Description	Notes
1	V _{EE} T	Transmitter Ground	
2	TX Fault	Transmitter Fault Indication	High: abnormal; Low: normal
3	TX Disable	Transmitter Disable	High: transmitter disable; Low: transmitter enable
4	MOD-DEF2	Module Definition 2	The data line of two wire serial interface
5	MOD-DEF1	Module Definition 1	The clock line of two wire serial interface
6	MOD-DEF0	Module Definition 0	Connected to Ground in the transceiver
7	RSSI Trigger	RSSI Trigger for Transceiver	High: enable RSSI A/D conversion
8	LOS	Loss of Signal	High: Loss Of Signal; Low: Signal Detected
9	V _{EE} R	Receiver Ground	
10	V _{EE} R	Receiver Ground	
11	V _{EE} R	Receiver Ground	
12	RD-	Inv. Receiver Data Out	LVPECL logic output, DC coupled
13	RD+	Receiver Data Out	LVPECL logic output, DC coupled
14	V _{EE} R	Receiver Ground	
15	V _{CC} R	Receiver Power	
16	V _{CC} T	Transmitter Power	
17	V _{EE} T	Transmitter Ground	
18	TD+	Transmit Data In	LVPECL logic input, AC coupled
19	TD-	Inv. Transmit Data In	LVPECL logic input, AC coupled
20	V _{EE} T	Transmitter Ground	

SFP RECOMMENDED HOST BOARD POWER SUPPLY FILTERING NETWORK

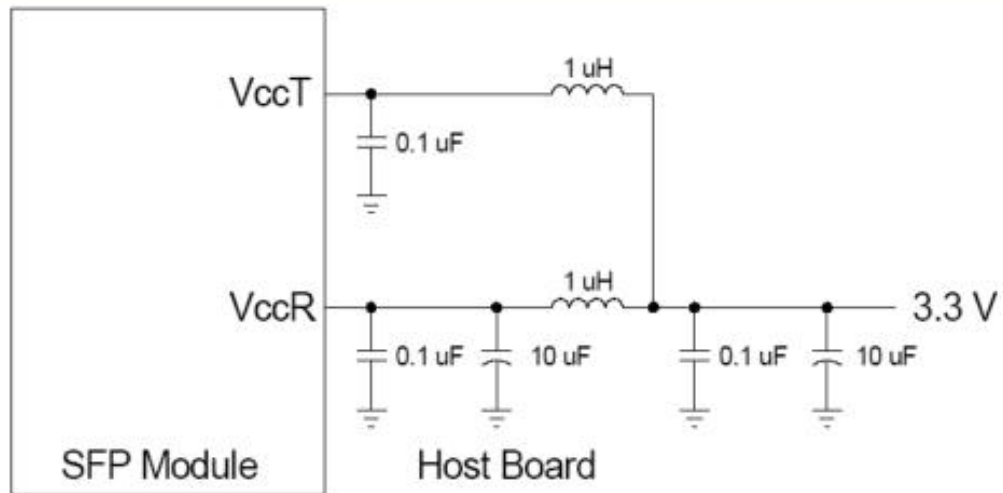
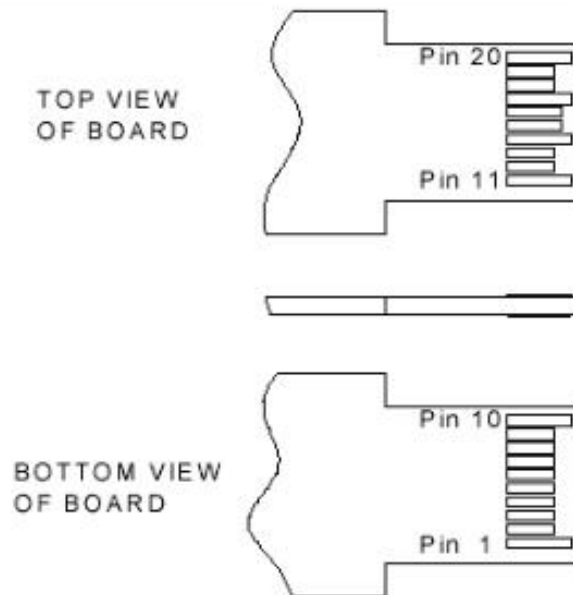


Figure 5 SFP Recommended Host Board Power Supply Filtering Network

SFP PIN (GOLDEN FINGER) DRAWING



TYPICAL INTERFACE CIRCUIT

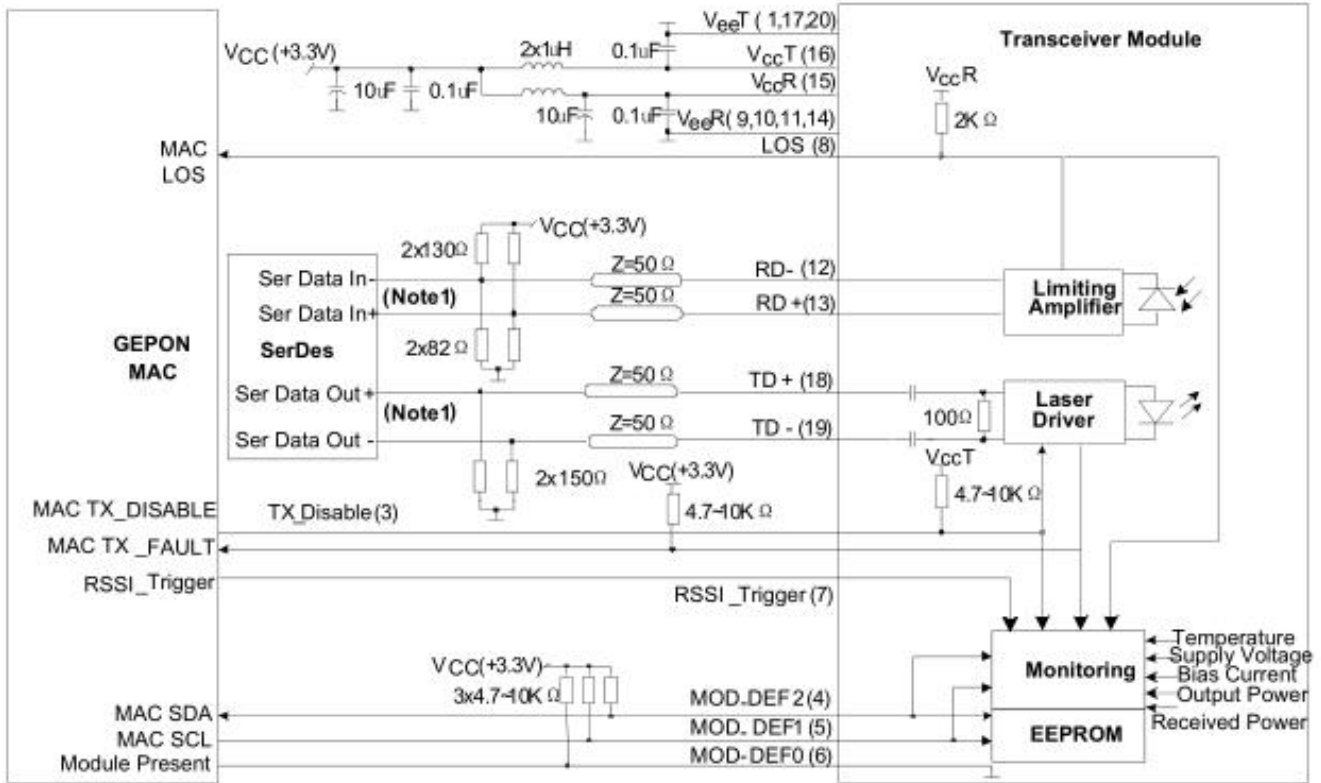
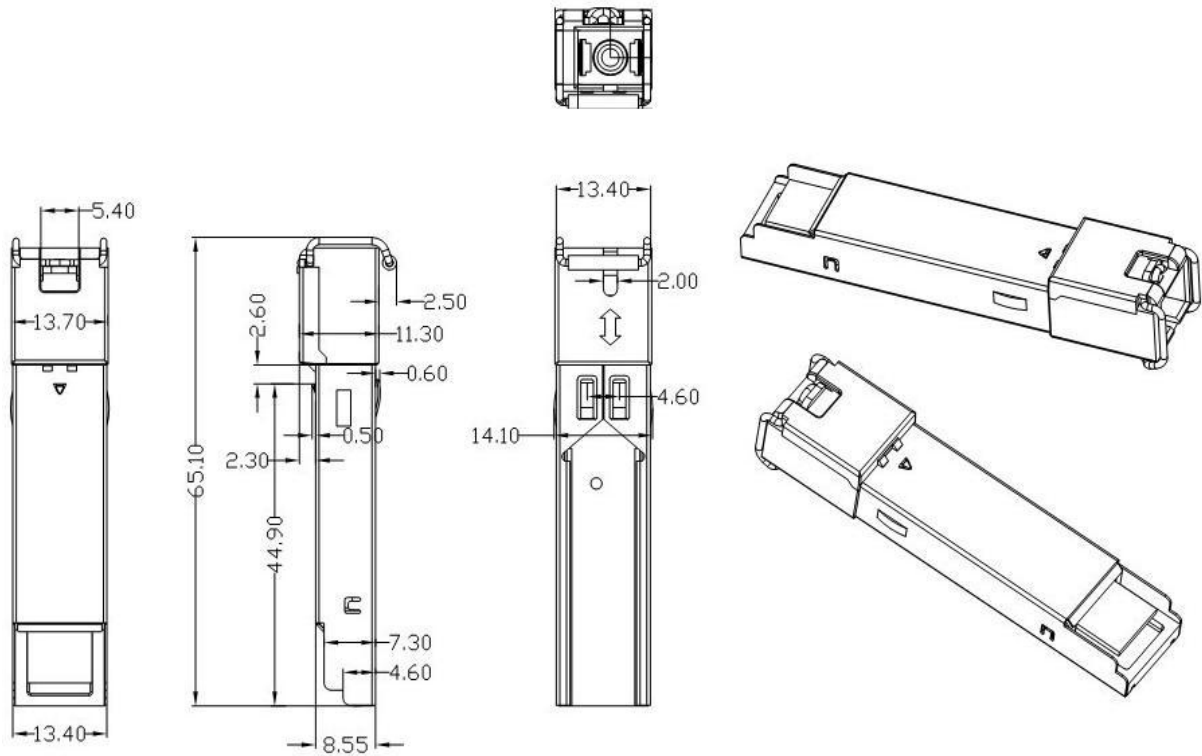


Figure 7 Typical Interface Circuit



EEPROM INFORMATION

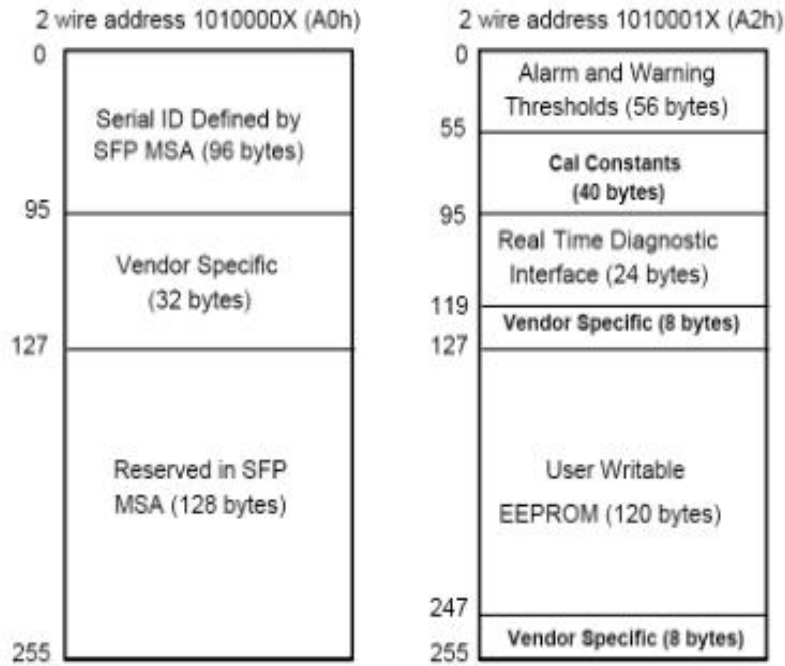


Figure 9 EEPROM Memory Map Specific Data Field Descriptions

DIGITAL DIAGNOSTIC MONITORING INTERFACE

Parameter	Range	Accuracy	Calibration	NOTES
Temperature	0 to 70°C	±3°C	Internal	LSB: 1/256C
Voltage	2.97 to 3.63V	±3%	Internal	LSB: 0.1mV
Bias Current	0 to 100mA	±10%	Internal	LSB: 2µA
TX Power	-2 to 8dBm	±3dB	Internal	LSB: 0.1µW
RX Power monitor	-30 to -6dBm	±3dB	Internal	LSB: 0.1µW

Compatibility Test

In order to ensure the product compatibility, our products will be tested on the switch before shipment. Our modules can be compatible with many mainstream brand switches, such as Cisco, Juniper, Extreme, Brocade, IBM, H3C, HP, Huawei, D-Link, Mikrotik, ZTE, TP-Link...

Our test equipment: VOLKTEK MEN-4110, HP 2530-8G, CRS226-24G-25+RM, Catalyst 2960G Series, Catalyst 3850 XS 10G SFP+, Catalyst 3750-E Series, HUAWEI S5700Series, H3C S3100V2 Series, Juniper-EX4200, etc.



Cisco Catalyst 3850



HUAWEI S5700



H3C S3100V2



HP J9264AR



Juniper EX 4200



Alcatel 6850E-U24X



Mikrotik CR5226-24G-25+RM



Cisco Catalyst 2960G



Volktek MEN-4110

Quality Assurance

Continuous introduction of new equipment, produced by strict standards, strict quality inspection, to guarantee the high quality standard of each product.



**Standardized
Production Line**



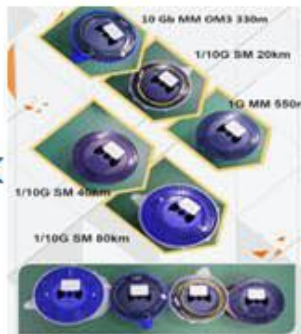
**Professional
Welding**



Assembling



Aging Testing



Distance Testing



Cleaning end face



Product Initial Test



Switch Testing



Product Final Test

Packaging

ETU-Link provides two kinds of packaging, 10pcs/Tray and individual package.



Company: ETU-Link Technology Co., LTD

Address: 4th Floor, C Building, JinBoLong Industrial Park, QingQuan Road, LongHua District, Shenzhen city, GuangDong

Tel: +86-755 2328 4603

Addresses and phone number also have been listed at www.etulinktechnology.com.

Please e-mail us at sales@etulinktechnology.com or call us for assistance.